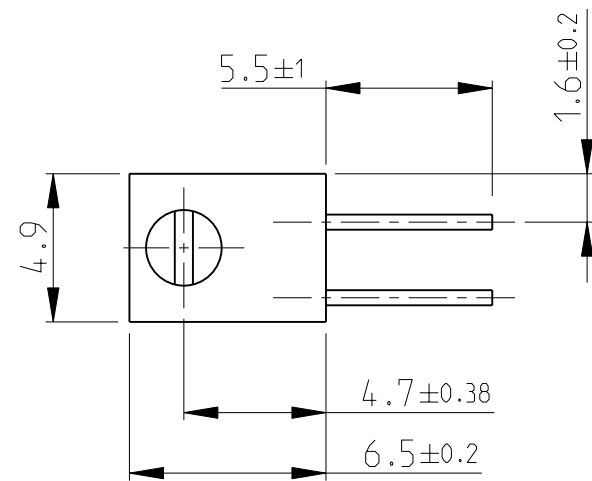
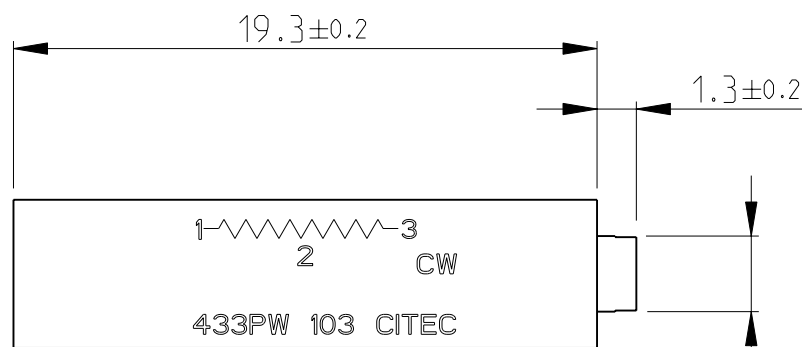
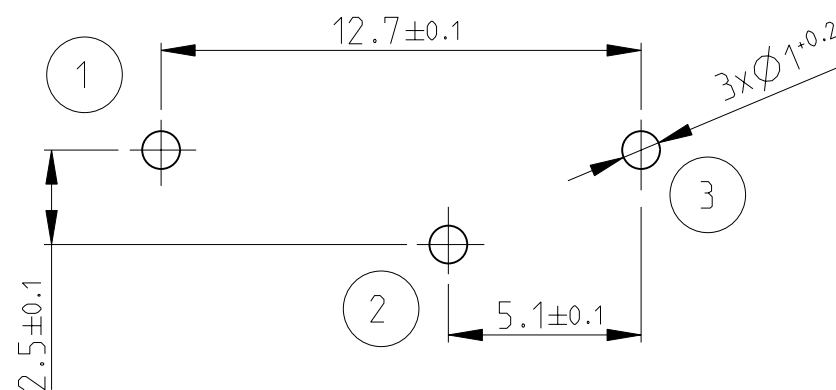
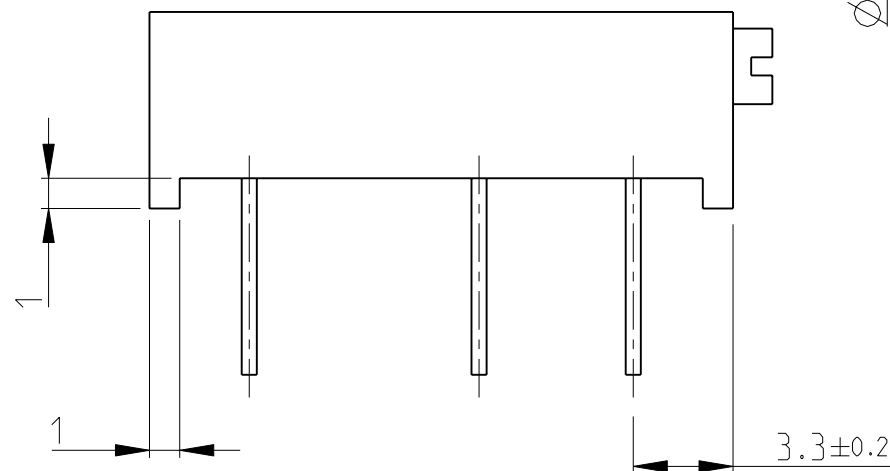


P	LTR	DESCRIPTION	DATE	DWN	APVD
B		ECR-12-010067	18MAY2012	KR	St.P

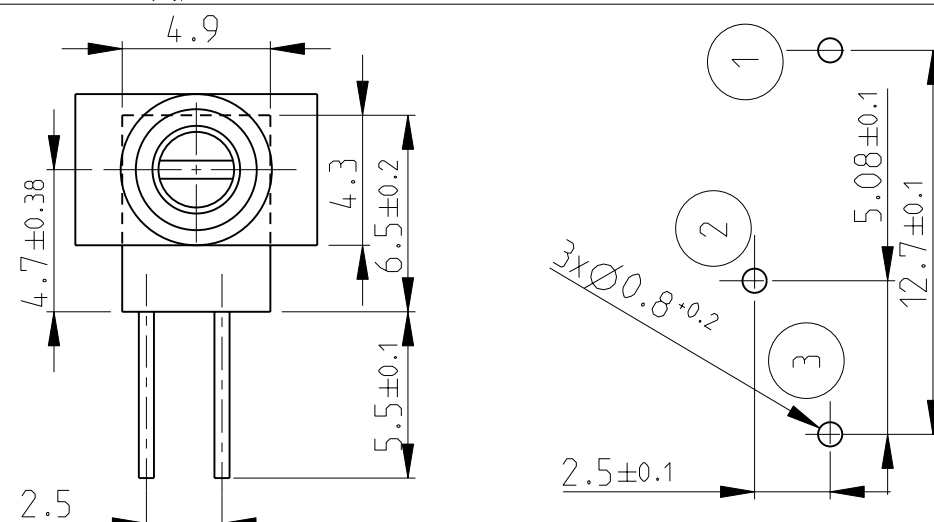
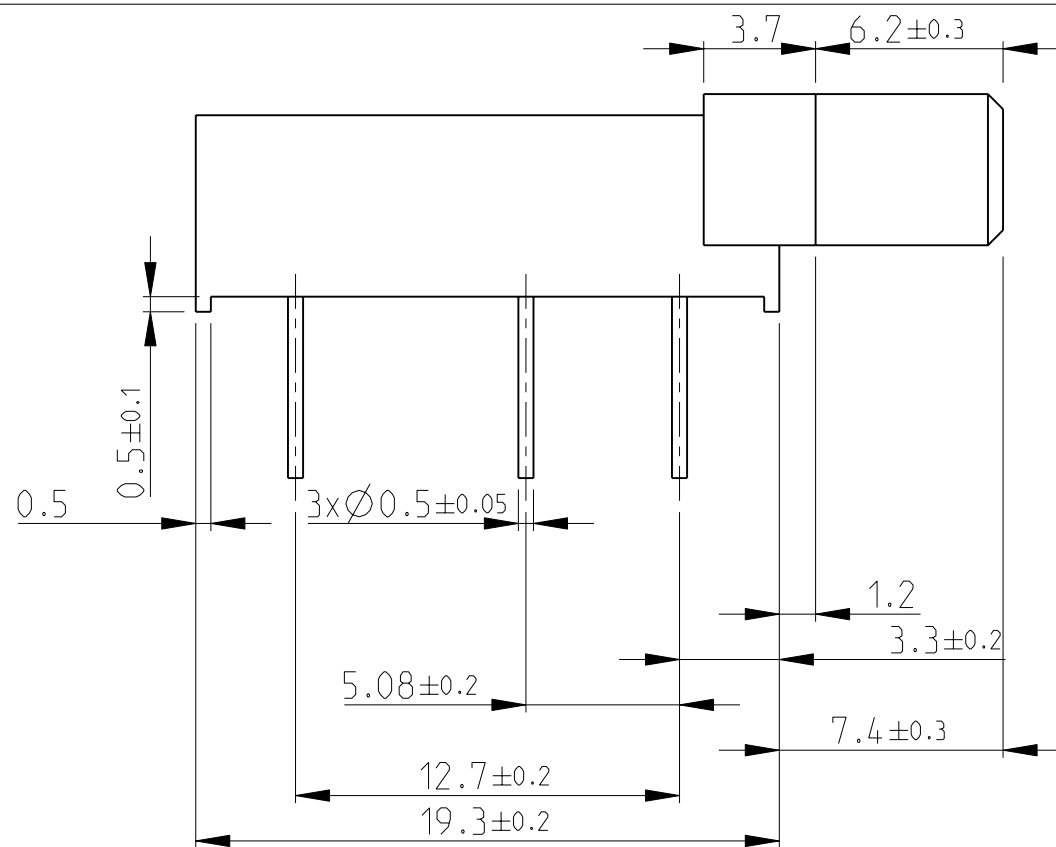
FOR FURTHER INFORMATION SEE DATA SHEET FOR 433 SERIES-PROFESSIONAL TRIMMERS



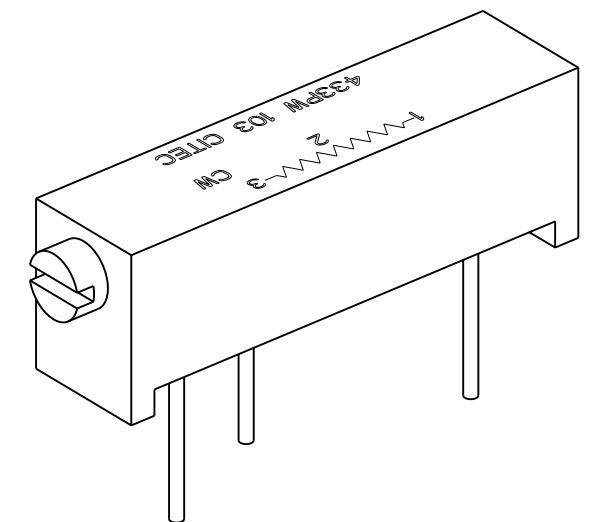
PCB Piercing Plan



RoHS Compliant



PCB Piercing Plan



THIS DRAWING IS A CONTROLLED DOCUMENT.

DWN	SUBHASH	07-07-08
CHK	PRAKASH	07-07-08
APVD	STEPHEN.P	07-07-08



DIMENSIONS:	TOLERANCES UNLESS OTHERWISE SPECIFIED:
mm	
0 PLC	±0.5
1 PLC	±0.2
2 PLC	±0.1
3 PLC	±
4 PLC	±
ANGLES	±1°
MATERIAL	FINISH
-	-

PRODUCT SPEC	-
APPLICATION SPEC	-
WEIGHT	-

NAME PROFESSIONAL TRIMMERS SERIES 433				RESTRICTED TO
SIZE	CAGE CODE	DRAWING NO		
A3	00779	©=1623866		

CUSTOMER DRAWING	SCALE 5:1	SHEET 1 OF 1	REV B
------------------	-----------	--------------	-------